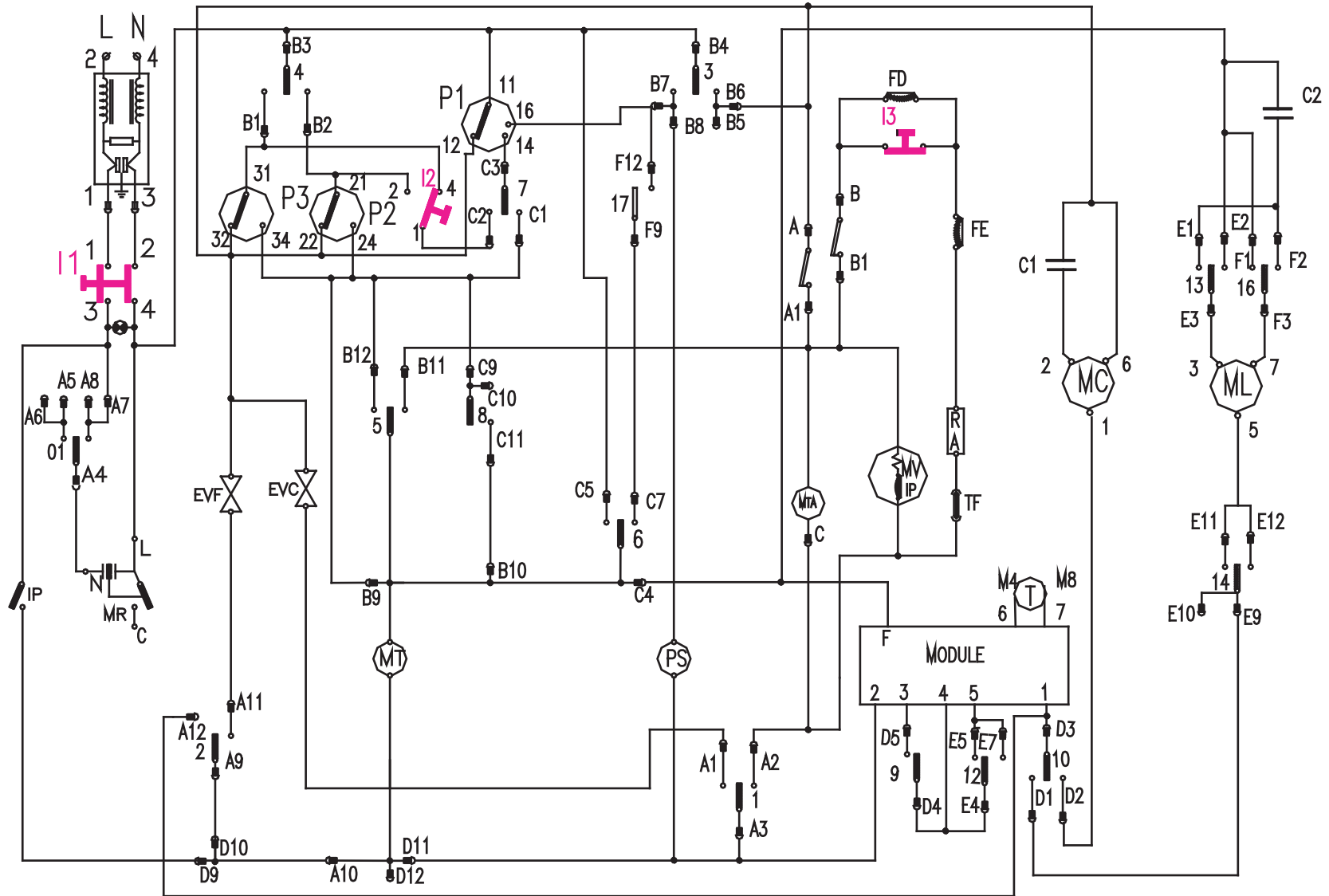


EZ1720V WIRE DIAGRAM



I1 POWER I2 1/2 LOAD I3 1/2 HEAT

TIMER NAME (EC4078WH.04A)