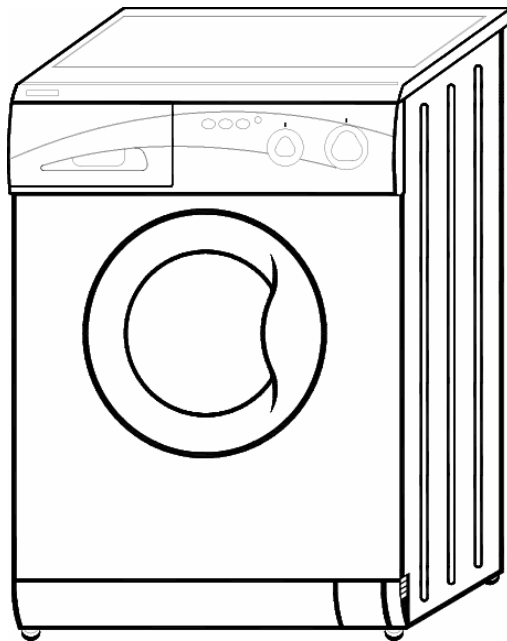




SPARE PARTS CATALOG

Fourth Edition – February 2006

LAUNDRY PRODUCTS



Combo Washer Dryer

MODELS

EZ3710CEE (WHITE / PLATINUM) - VENTLESS

EZ1710 V (WHITE / PLATINUM) - VENTING

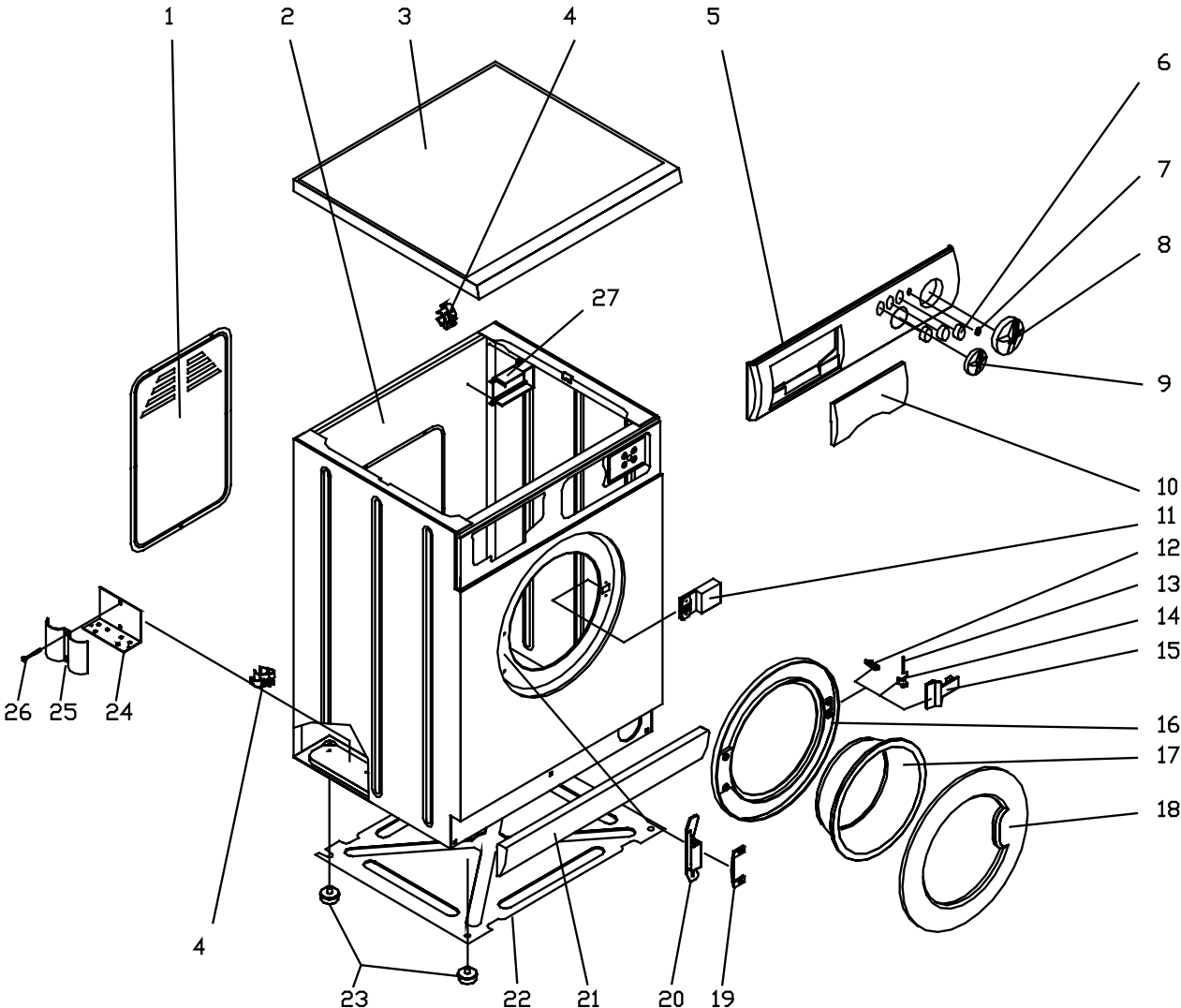
Spare parts list : **EZ3710CEE & EZ1710V (WHITE / PLATINUM)**

☆ **TABLE OF CONTENTS** ☆

• <u>CABINET</u>	3 - 5
• <u>TUB & DRUM</u>	6 - 7
• <u>CONTROLS</u>	8 - 10
• <u>VENTILATION</u>	11-12

Spare parts list : EZ3710CEE & EZ1710V (WHITE / PLATINUM)

EXPLODED VIEW I: CABINET



Spare parts list : EZ3710CEE & EZ1710V (WHITE / PLATINUM)***Table I-Cabinet & Porthole***

Pos#	PART#	DESCRIPTION
01	00703	Back panel -White - 3710 / 1710
01	01703	Back panel -Platinum - 3710 / 1710
03	10803	Top panel assembly-White-3710
03	11803	Top panel assembly-Platinum-3710
03	20803	Top panel assembly-White-1710
03	21803	Top panel assembly-Platinum-1710
04	00784	Clamp for drain hose and power cable - 3710 / 1710
05	00709	Control panel -White-3710/1710
05	01709	Control panel -Platinum-3710/1710
06	00792	Push Button -White-3710 / 1710
06	01792	Push button -Platinum-3710 / 1710
07	00749	Light cover-3710 / 1710
08	00801	Washer Knob - White - 3710 / 1710
08	01801	Washer knob-Platinum - 3710 / 1710
09	00800	Dryer knob-White - 3710 / 1710
09	01800	Dryer knob-Platinum - 3710 / 1710
10	10725	Soap Dispenser handle-White -3710 / 1710
10	11725	Soap Dispenser handle-Platinum -3710 / 1710
11	00750	Electric door switch - 3710 / 1710
12	00755	Door handle catch - 3710 / 1710
13	00766	Door handle catch pin - 3710 / 1710
14	00767	Door handle catch spring - 3710 / 1710
15	00770	Door handle - 3710 / 1710
16	00772	Door Inner frame -White - 3710 / 1710
16	01772	Door Inner frame -Platinum - 3710 / 1710
17	00769	Door Safety glass - 3710 / 1710
18	00768	Door Outer trim -White - 3710 / 1710
18	01768	Door Outer trim -Platinum - 3710 / 1710
19	00789	Support for hinge - 3710 / 1710
20	00771	Door hinge assembly - 3710 / 1710
21	00747	Kick plate -White - 3710 / 1710
21	01747	Kick plate -Platinum - 3710 / 1710

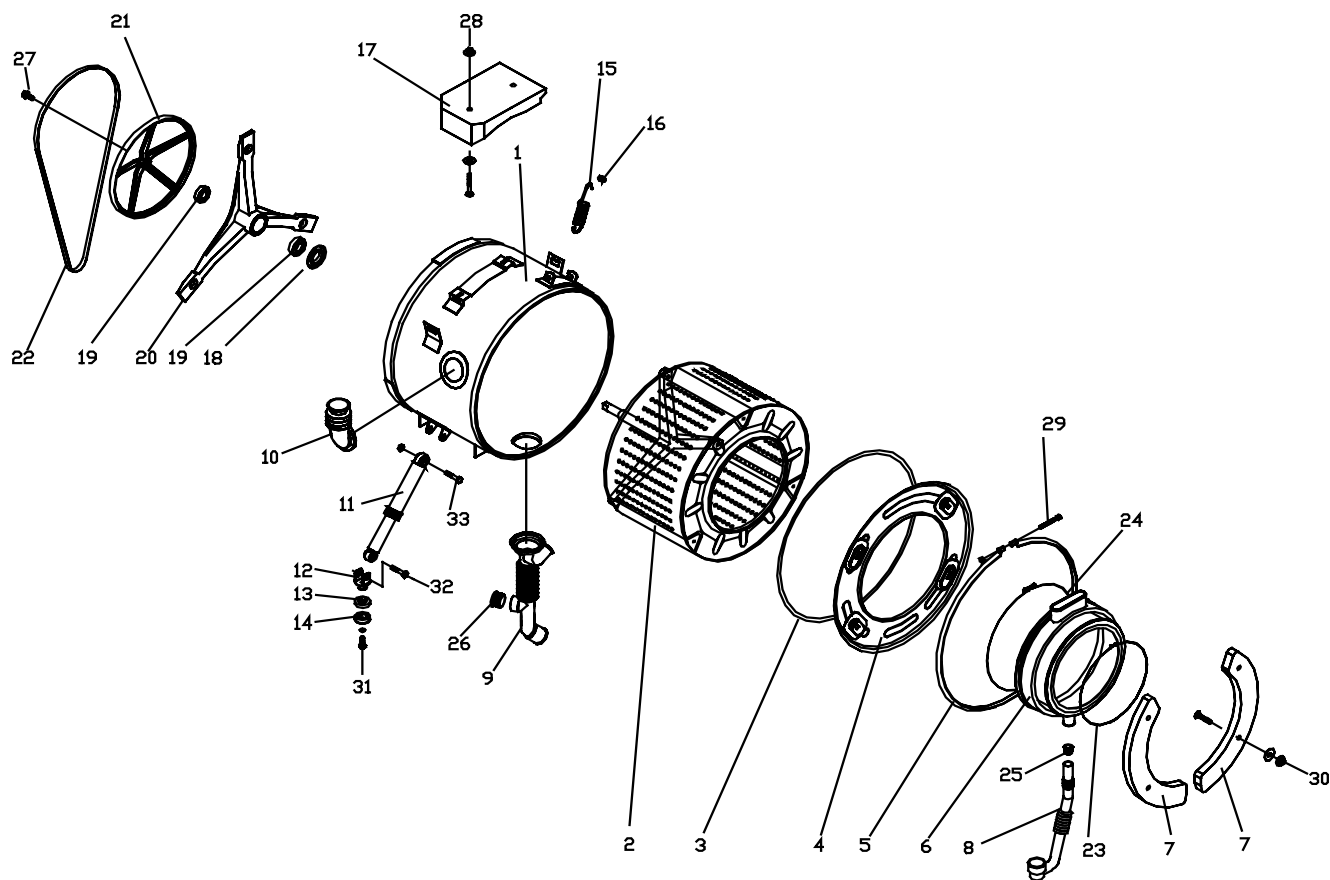
Spare parts list : **EZ3710CEE & EZ1710V (WHITE / PLATINUM)**

Table I-Cabinet & Porthole(Contd...)

Pos#	PART#	DESCRIPTION
22	00816	Bottom panel(interior) - 3710 / 1710
23	00734	Feet - 3710 / 1710
24	00787	Support for capacitor - 3710 / 1710
25	00710	Bracket for capacitor - 3710 / 1710
26	00785	screw - 3710 / 1710
27	00790	Support for speed regulator - 3710 / 1710
28	00827	Vent Hose Flange-1710

Spare parts list : EZ3710CEE & EZ1710V (WHITE / PLATINUM)

EXPLODED VIEW 2: TUB & DRUM

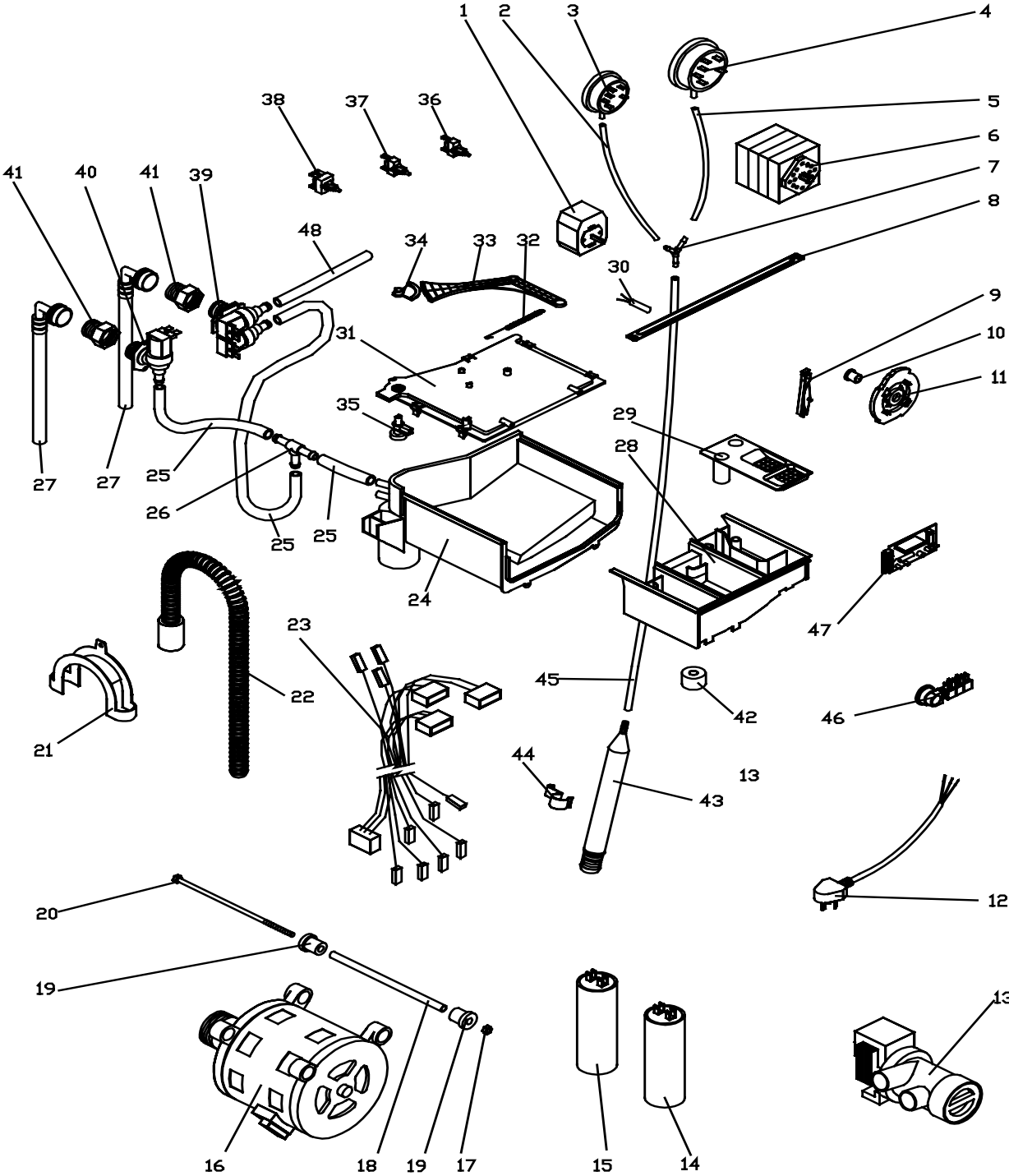


Spare parts list : EZ3710CEE & EZ1710V (WHITE / PLATINUM)***Table 2 - Tub & Drum***

Pos#	PART#	DESCRIPTION
01	10811	Tub assembly -3710
01	20811	Tub assy -1710
02	00729	Drum Assy - 3710 / 1710
03	00812	Tub Gasket- 3710 / 1710
04	00813	Tub front flange- 3710 / 1710
05	00818	Back tub ring assy - 3710 / 1710
06	00778	Porthole Diaphragm (Boot)- 3710 / 1710
07	00735	Front counterweight- 3710 / 1710
08	00722	Detergent recycling hose - 3710 / 1710
09	00741	Hose - tub to pump- 3710 / 1710
10	00740	Hose - soap dispenser to tub- 3710 / 1710
11	00795	Shock absorber- 3710 / 1710
12	00796	Shock absorber support- 3710 / 1710
13	00797	Shouldered rubber bush- 3710 / 1710
14	00783	Rubber cup washer- 3710 / 1710
15	00815	Tub suspension spring- 3710 / 1710
16	00798	Spring rest- 3710 / 1710
17	00817	Upper counterweight- 3710 / 1710
18	00781	Retaining ring- 3710 / 1710
19	00782	Ball bearing 6204- 3710 / 1710
19	00829	Ball bearing 6205- 3710 / 1710
20	00814	Cross bearing assembly- 3710 / 1710
21	00724	Pulley assembly- 3710 / 1710
22	00777	Drive belt- 3710 / 1710
23	00780	Porthole diaphragm clamp- 3710 / 1710
24	00779	Clamp -Porthole diaphragm & tub - 3710 / 1710
27	00704	Bolt -Drum Pulley Fixing - 3710 - 1710
34	00828	Inner Vent Hose-1710

Spare parts list : EZ3710CEE & EZ1710V (WHITE / PLATINUM)

EXPLODED VIEW 3 : CONTROLS



Spare parts list : EZ3710CEE & EZ1710V (WHITE / PLATINUM)

Table 3 - Controls

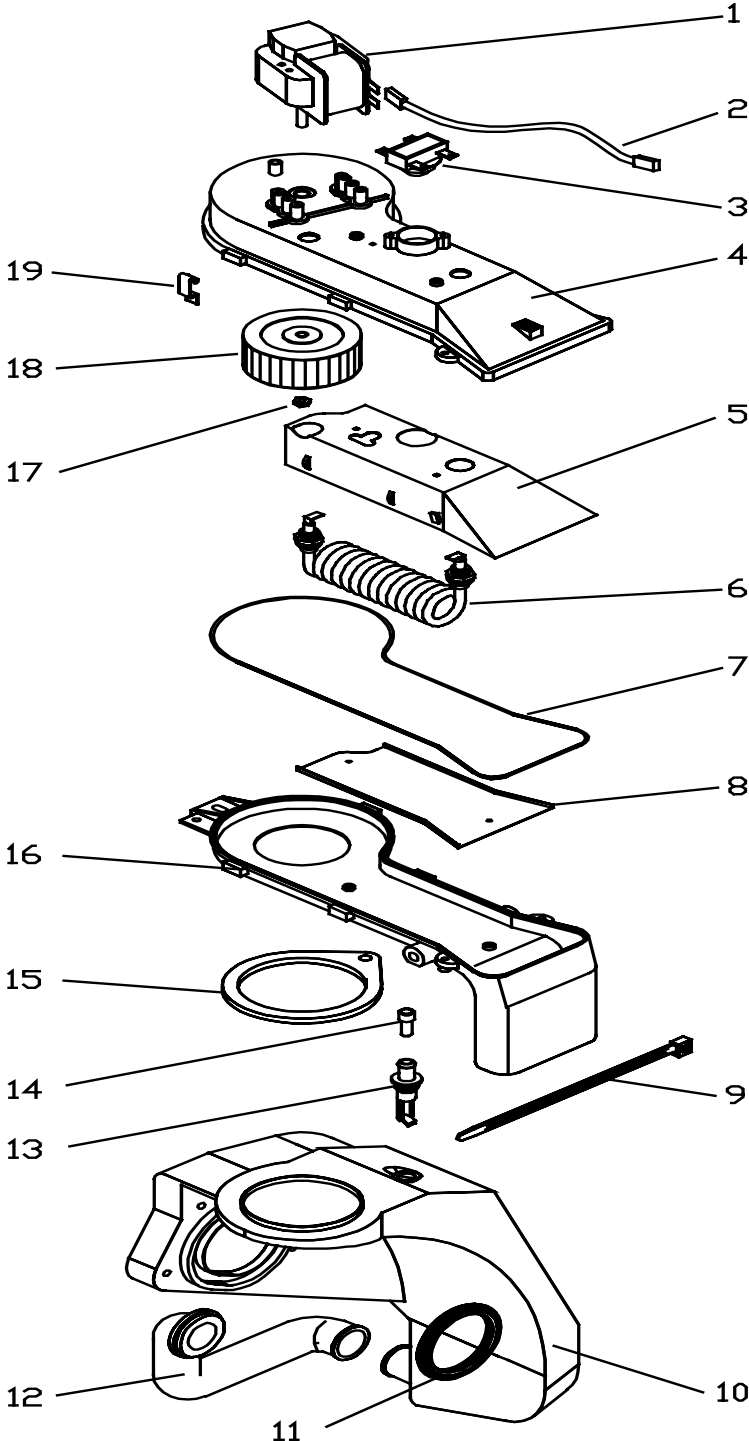
Pos#	PART#	DESCRIPTION
01	00728	Dryer timer- 3710 / 1710
02 / 05 / 45	00775	Hose(to pressure switch)- 3710 / 1710
03	00774	Pressure switch(small)- 3710 / 1710
04	01774	Pressure switch(large)- 3710 / 1710
06	10819	Washer timer-3710 / 1710
07	00823	"Y" coupling-3710 / 1710
08	00805	Transmission to detergent tray-3710 / 1710
09	00713	Cam follower-3710 / 1710
10	00712	Bush to timer cam-3710 / 1710
11	00802	Timer cam-3710 / 1710
12	00716	Power cord-3710 / 1710
13	00776	Drain Pump-3710 / 1710
14 / 15	00714	Capacitor- 3710 / 1710
16	00751	Main Motor-3710 / 1710
17	00754	Nut M6-3710 / 1710
18	00753	Motor spacer-3710 / 1710
19	00711	Bush for motor-3710 / 1710
20	00752	Motor bolt M6X212 - 3710 / 1710
21	00788	Support for drain hose-3710 / 1710
22	00727	Drain hose-3710 / 1710
23	10822	Wiring assembly-3710
23	20822	Wiring assembly-1710
24	00742	Hopper-3710 / 1710
25	00810	Tube between solenoid valve and detergent tray-3710 / 1710
26	00806	"T" coupling-3710 / 1710
27	00746	Inlet water hose-3710 / 1710
28	00723	Detergent tray-3710 / 1710
29	00719	Cover for detergent tray-3710 / 1710
30	00748	Light bulb -3710 / 1710
31	00743	Hopper cover-3710 / 1710
32	00726	Dispenser spring-3710 / 1710
33	00804	Transmission for dispenser-3710 / 1710
34	00731	Ejector guide-3710 / 1710

Spare parts list : EZ3710CEE & EZ1710V (WHITE / PLATINUM)***Table 3 - Controls (Contd....)***

Pos#	PART#	DESCRIPTION
35	00730	Ejector-3710 / 1710
36	00799	Push button - No Spin-3710 / 1710
37	01799	Push button - Half load-3710 / 1710
38	02799	Push button - On/Off -3710 / 1710
39	10820	Cold water valve -3710
39	20820	Cold water valve -1710
40	00821	Hot water valve -3710 / 1710
41	00773	Pressure reducing valve-3710 / 1710
42	00786	Sponge for hose to pressure switch -3710 / 1710
43	00702	Air trap-3710/1710/W510
44	00717	Clamp for air trap-3710 / 1710
46	00701	3 poles terminal board-3710 / 1710
47	00791	Electronic module -3710 / 1710

Spare parts list : **EZ3710CEE & EZ1710V (WHITE / PLATINUM)**

EXPLODED VIEW 4: VENTILATION



Spare parts list : EZ3710CEE & EZ1710V (WHITE / PLATINUM)**Table 4 - Ventilation**

Pos#	PART#	DESCRIPTION
01	00732	Fan motor-3710 / 1710
02	00807	Fusible Link (144degree)-3710 / 1710
03	00808	Thermostat -3710 / 1710
04	00825	Upper heater housing -3710 / 1710
05	00826	Upper reflecting screen WDM-3710 / 1710
06	00745	Heating element-3710 / 1710
07	00737	Gasket -3710 / 1710
08	01826	Lower reflecting screen WDM-3710 / 1710
09	00824	Clamp(heater housing & Boot) -3710 / 1710
10	10720	Condenser-3710
11	10721	Condenser gasket to tub -3710
12	10744	Hose condenser to tub-3710
13 / 14	10736	Flow valve (to condensing chamber) -3710
15	11721	Condenser gasket to heater housing -3710
16	01825	Lower heater housing -3710 / 1710
17	00733	Nut-3710 / 1710
18	01733	Impeller assembly(squirrel cage) -3710 / 1710
19	00718	Clips-3710 / 1710

Spare parts list : [EZ3710CEE](#) & [EZ1710V](#) (WHITE / PLATINUM)

COMPANY INFORMATION

EQUATOR CONTACT NUMBERS

**SERVICE, PARTS,
ACCESSORIES & DETERGENT ORDERING:
(800) 776-3538**

TECHNICAL SUPPORT: (888) 935-1565