



SERVICE MANUAL
(TROUBLE SHOOTING AND REPAIRING TIPS)

CONSERV REFRIGERATOR

MODEL

CT 380 Z

VESTEL WHITE GOODS	VESTEL REFRIGERATOR	CUSTOMER SUPPORT
	ASSEMBLE & DISASSEMBLE	

A- Changing The Door Swing Direction to Right Hand

1- Unscrew the two screws which are fixing the middle hinge. (Fig-1) Also remove the two middle hinge screw caps (big) on the left side.

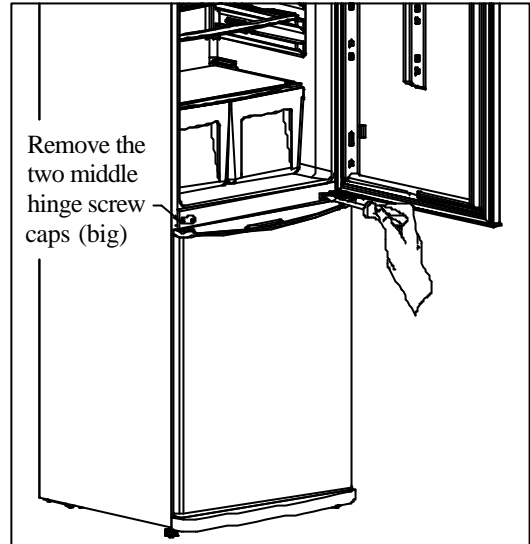


Figure -1

2- Dismantle the refrigerator and freezer door from cabinet by pulling towards to you together with the middle hinge. (Fig-2)

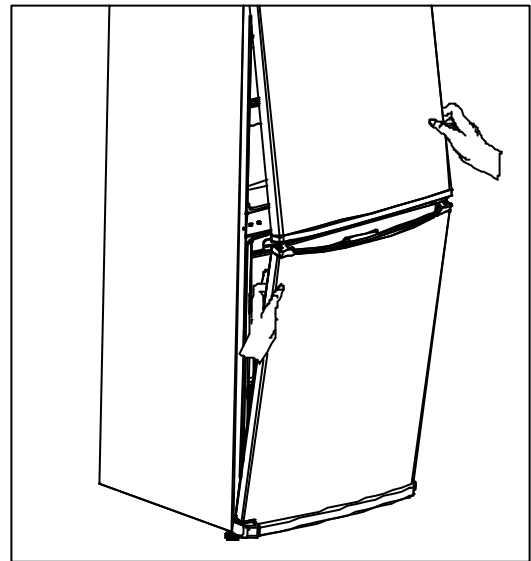


Figure -2

3- Remove the kick plate by pulling forward. Unscrew the bottom hinge fixing screws and remove it. Unscrew the pin of the hinge from Hole 1, rotate the bottom hinge 90° and screw the pin to Hole 2.(See Detail A) Then screw the hinge to bottom left side of refrigerator. (Fig-3)

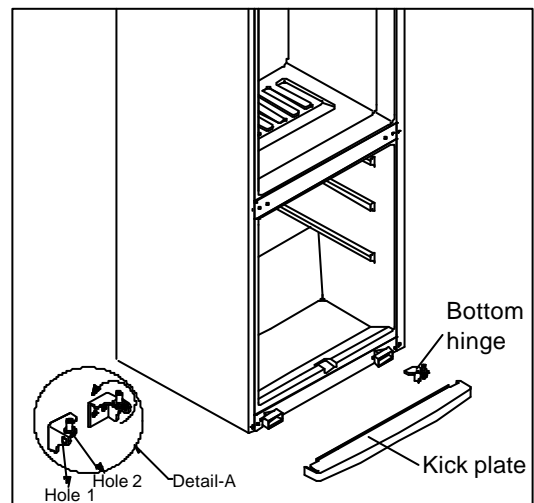


Figure -3

VESTEL WHITE GOODS	VESTEL REFRIGERATOR	CUSTOMER SUPPORT
	ASSEMBLE & DISASSEMBLE	

4- Place the two middle hinge screw caps (big) as shown in the figure. (Fig-4)
You can find the new caps in the user manual bag.

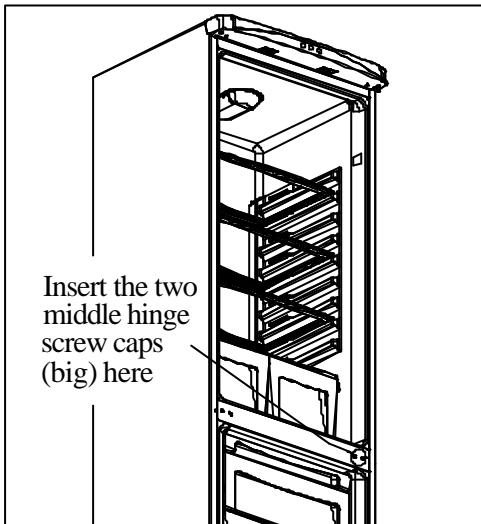


Figure -4

5- Unscrew the pin of the top hinge. (Fig-5/Detail-A) and screw it to the left hinge. (Fig-5/Detail-B)

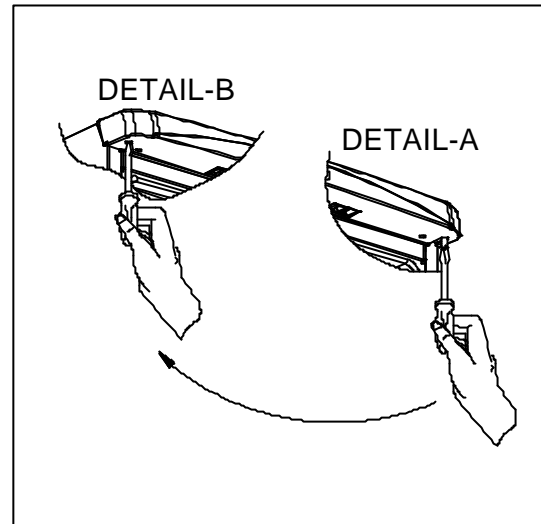


Figure -5

6- Replace the top bushing and top bushing cap. (Fig-6.1 and 6.2)

6.1- Remove the right door catcher and assemble the left door catcher (which is put in the user manual bag) to the left. (Fig-6.1)

(Only for BONFANTI, PININFARINA, VESTEL door design)

6.2- Remove the bottom bushing and insert it to the left hole. (Fig-6.2/Detail-A)

(Only for SLIMLINE and CLASSIC door design)

6.3- Remove the door handle screw caps. Unscrew the screws that are fixing the door handle. Assemble door handle to the right side by doing the reverse operation. (Fig-6.2/Detail-B)

(Only for CLASSIC door design)

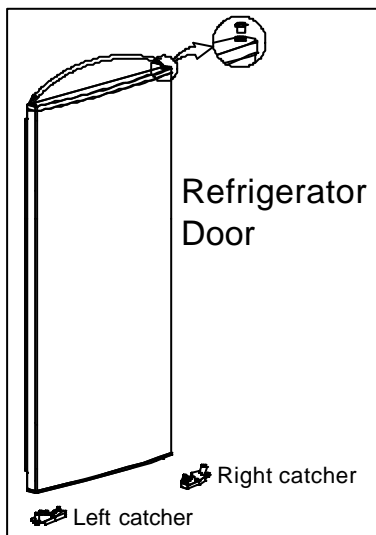


Figure -6.1

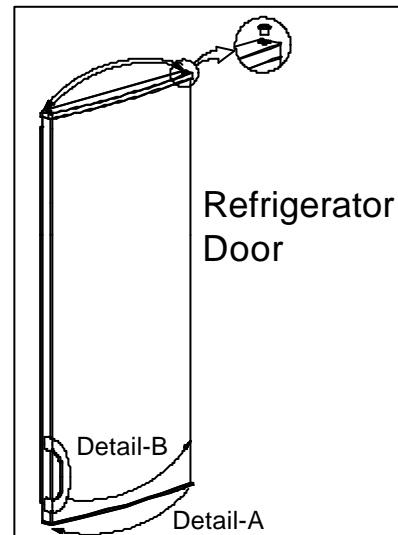


Figure -6.2

VESTEL WHITE GOODS	VESTEL REFRIGERATOR	CUSTOMER SUPPORT
	ASSEMBLE & DISASSEMBLE	

7- Replace the top bushing and top bushing cap. (Fig-7)

(You can use the bushing cap that is put in the user manual bag)

Remove the bottom bush and reassemble it to the left side. (Fig-7)

7.1- Remove the door handle screw caps. Unscrew the screws that are fixing the door handle. Assemble door handle to the right side by doing the reverse operation.(Fig-7/Detail-A)
(Only for CLASSIC door design)

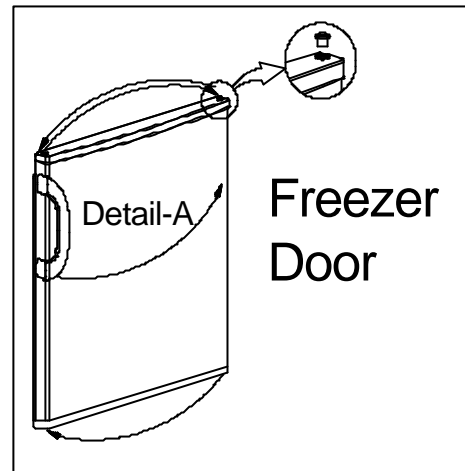


Figure -7

8- Turn the middle hinge 180° clockwise direction. Assemble the freezer door and refrigerator door together with middle hinge. (Reverse operation of item 2) Fix the middle hinge by tightening the screws. Finally, by using a knife cut left side of the kick plate and assemble it. (Fig-8)

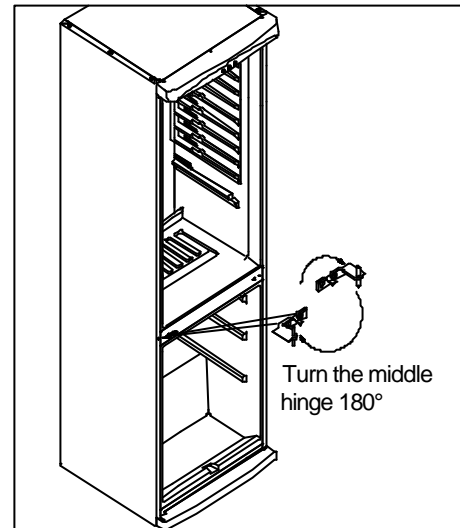


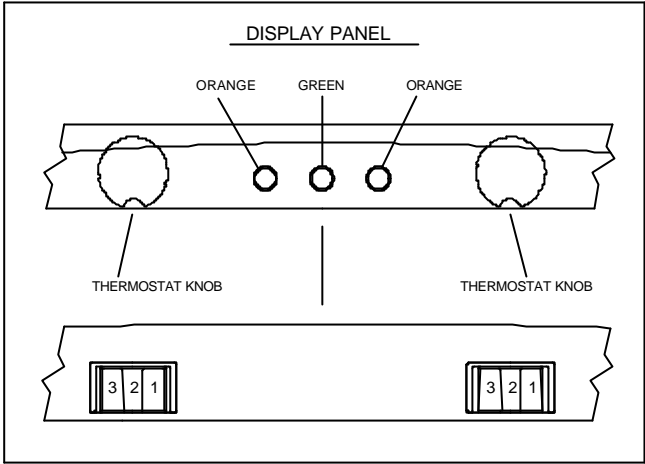
Figure -8

B- Changing The Thermostat

- 1- Unscrew the three head panel bolts. Remove the head panel by pulling towards to forward.
 - 2- Disconnect to wire connector.
 - 3- Remove the second shelf from bottom.
 - 4- Remove the plastic holder which is fixing thermostat bulb.
 - 5- Remove the thermostat bulb by pulling.
 - 6- Remove thermostat holder by slightly stretching head panel.
 - 7- Remove the thermostat knob by pulling forward.
 - 8- Loosen the nut which is fixing the thermostat.
 - 9- Replace the thermostat with new one.
 - 10- Assemble the thermostat by applying following steps backwards.
- Note:** Item 3,4 is for freezer thermostat.

VESTEL WHITE GOODS	VESTEL REFRIGERATOR	CUSTOMER SUPPORT
	INSTRUCTIONS	

A- Thermostat Knob

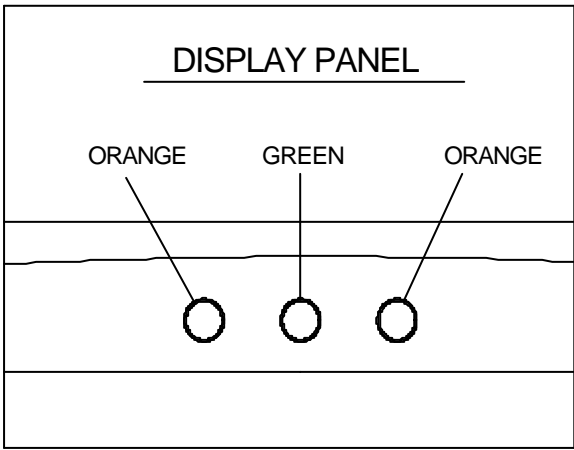


You may adjust freezer temperature automatically by thermostat knob. If you turn the thermostat knob to ‘0’ position, freezing will be stopped.

Positions of thermostat knob;

- 5:** Is a SUPER FREEZING position. When a lot of food is placed inside the appliance, adjust the thermostat knob to super freezing position (5). When the freezer temperature is reached to required temperature, readjust the thermostat knob to old position.
- 3-4:** Is the recommended value for normal usage.
- 1-2:** Use when less freezing is needed.

B- Display Panel



ORANGE LIGHT: When the thermostat knob is adjusted to super freezing position (5), orange light will be on.

GREEN LIGHT: During the plugging of the appliance green light is on.

ORANGE LIGHT: When the temperature of the freezer section is less than required temperature, red light will be on. Adjust the thermostat knob to super freezing position (5) until the red light is off. Then readjust the thermostat to old position.

VESTEL WHITE GOODS	VESTEL REFRIGERATOR	CUSTOMER SUPPORT
	REFRIGERANT CYCLE DIAGRAM	

